

TECHNICAL DATA BL40
Remote controlled Ethanol Burner (40,5 cm 15,95 in)
Electronic ignition and security detectors

1. Technical data
2. Dimensions
3. Minimum dimensions of safety
4. Operating Procedure



1



Controls

Remote control, On/off button

Dry contact for home automation applications & remote control via Smartphone or remote commands



Ignition - Power

Automatic and secured ignition through low-voltage electronic induction electrodes

Feed pumps with high-tech membranes

TECHNICAL DATA BL40

Remote controlled Ethanol Burner (40,5 cm 15,95 in)

Electronic ignition and security detectors



Security

Electronic sensors that automatically halt the unit in case of malfunction
(CO², heat, levels, tank gauge, etc.)

2



Standards

All AFIRE devices comply with the following safety standards:
CE (Europe), FCC (USA), IC (Canada)

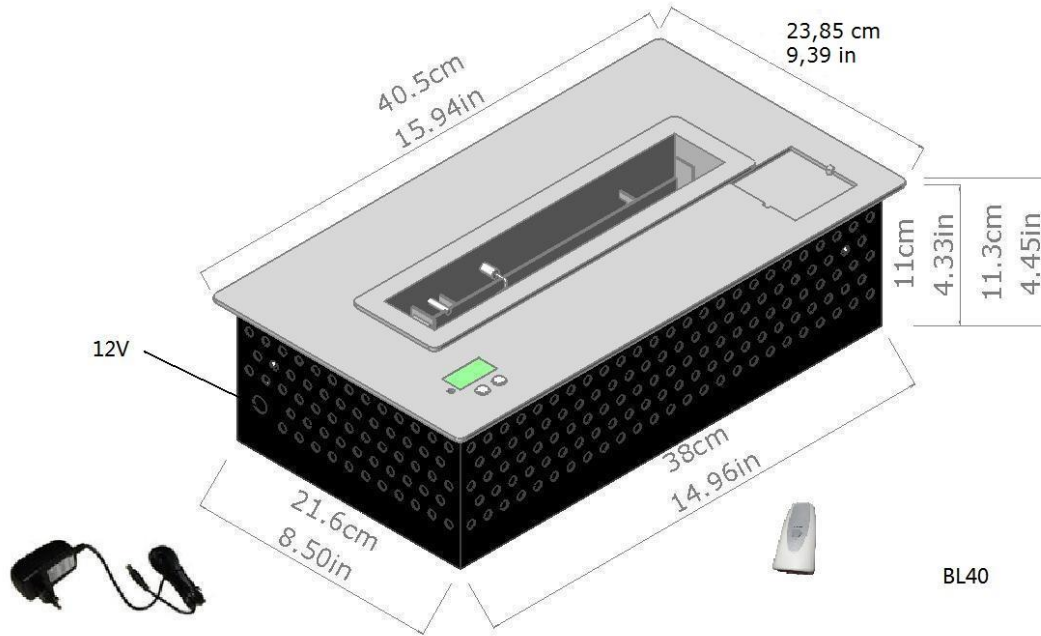


BL40 data



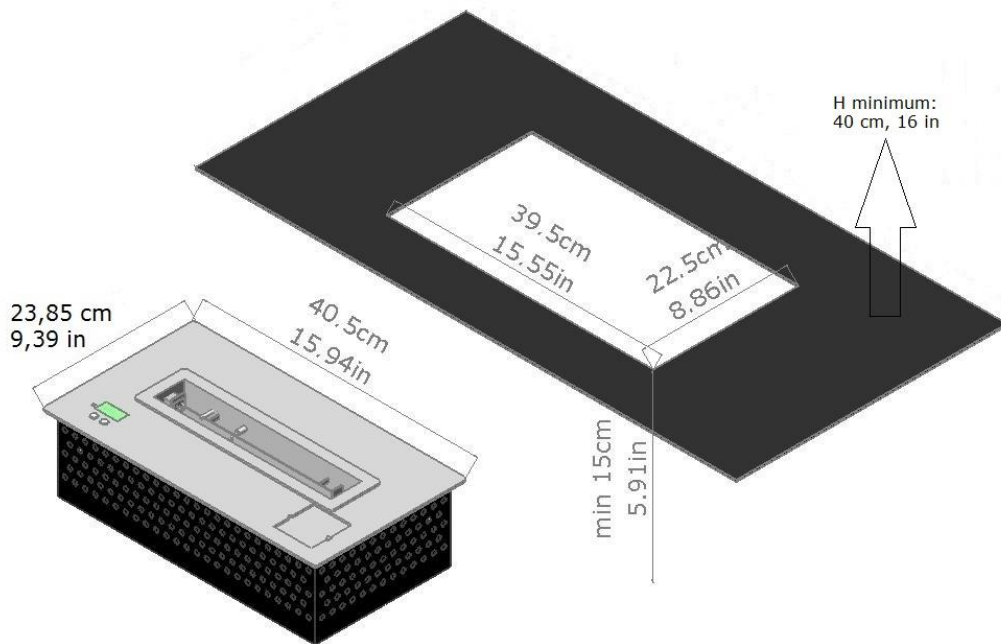
Dimensions: 40,5 /24/11,3 cm (15,94/9,45/4,45 in)
Output: 2 700 W (9 000 BTU)
Capacity of the tank: 2,25 L (0,6 Gal)
Consumption: 0,4 liter/hour (0,11 Gal/hour)
Weight: 8,5 kg (18,74 Lbs.)

TECHNICAL DATA BL40
Remote controlled Ethanol Burner (40,5 cm 15,95 in)
Electronic ignition and security detectors



Minimum dimensions of safety with non-combustible materials

Above: 400 mm; 16 inches. Edges: 80 mm; 3,2 inch. Back: 60 mm 2,5 inch.



BL40

TECHNICAL DATA BL40

Remote controlled Ethanol Burner (40,5 cm 15,95 in)

Electronic ignition and security detectors

Operating procedure

A. Power supply

Connect the provided 12V adapter



B. Tank filling

Only use denatured ethanol 95 – 97%.

Press on the button **2**

The door is unlocked, open the door, remove the cap and fill the tank with a funnel.

When the tank is full, a beep warns you and a message is displayed on the LCD screen.

Put the cap back on and close the door of the tank.

After a few seconds the door will be automatically locked



Never fill the burner directly, fill the ethanol tank

C. Press on the remote control, the on/off switch (1) or the remote button to ignite or switch off the burner



on/off switch



tank opening **2** **1** on/off switch



dry contact for home automation