

Technical Information

Model: Meridian XXL

Natural Gas

Input KW: 19.5
 Output KW: 16.38
 Step A: 9.8
 Step B: 9.8
 Efficiency: 84%

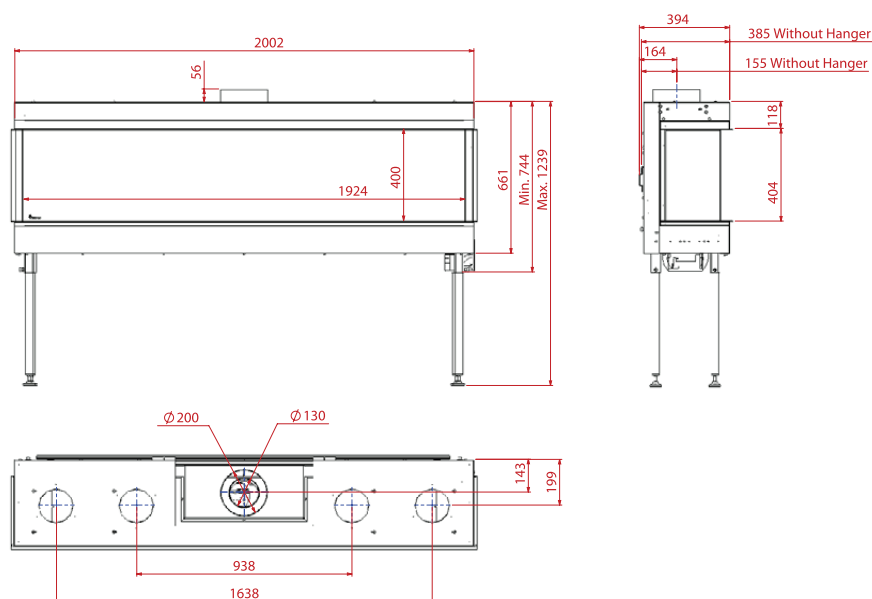
LPG

Input KW: 19.5
 Output KW: 16.38
 Step A: 9.8
 Step B: 9.8
 Efficiency: 84%

Flue Size: 130/200
 Control: Mertic GV-60

Wifi Control Option available - Please see separate technical sheet for information
 Available with either Logs or Pebble flame decoration

Technical Drawing



NOTE: All information is correct at time of upload to our website.

However product sizing or details may change without prior notice. Always consult your sales representative for the most up to date information. Your statutory rights are not affected. E&OE