

## Technical Information

### Model: Uranus XLG (left and right)

#### Natural Gas

Input KW: 16  
 Output KW: 13.44  
 Step A: 8  
 Step B: 8  
 Efficiency: 84%

#### LPG

Input KW: 16  
 Output KW: 13.44  
 Step A: 8  
 Step B: 8  
 Efficiency: 84%

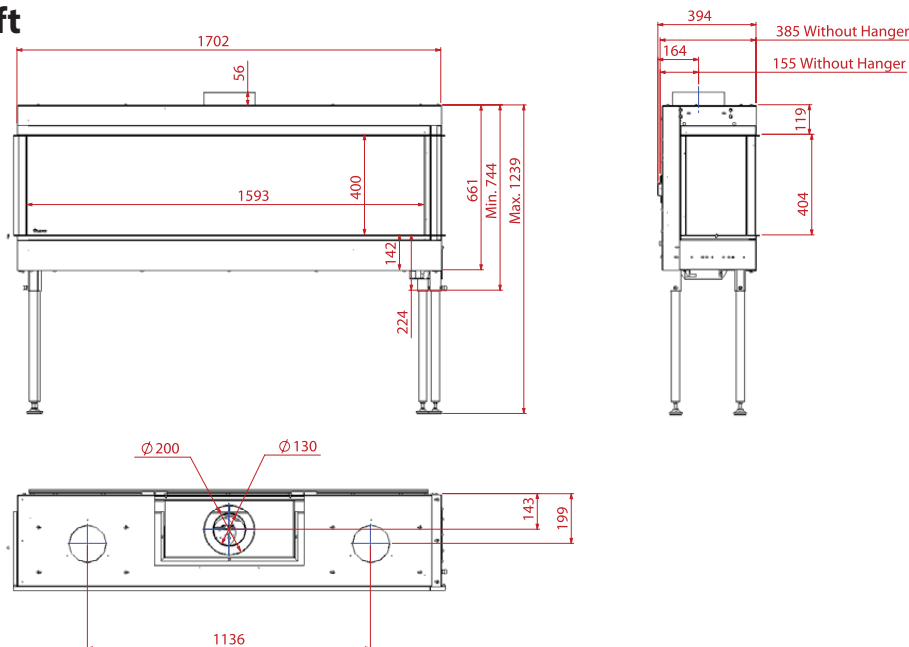
Flue Size: 130/200

Control: Mertic  
 GV-60

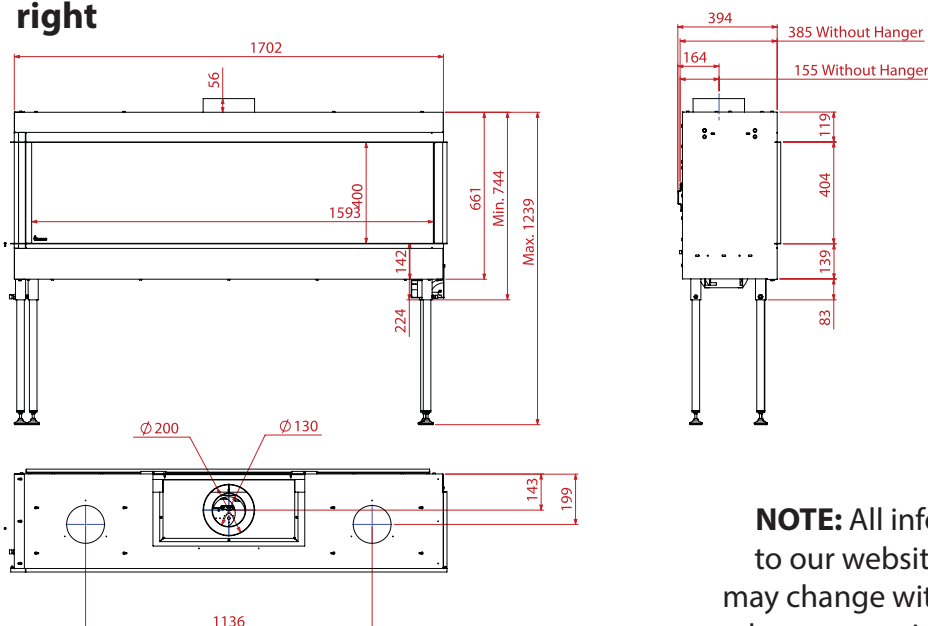
Wifi Control Option available - Please see separate technical sheet for information  
 Available with either Logs or Pebble flame decoration

## Technical Drawing

### left



### right



**NOTE:** All information is correct at time of upload to our website. However product sizing or details may change without prior notice. Always consult your salesrepresentative for the most upto date information. Your statutory rights are not affected. E&OE