

Technical Information

Model: Uranus XXL (left and right)

Natural Gas

Input KW: 16
 Output KW: 16.38
 Step A: 9.8
 Step B: 9.8
 Efficiency: 84%

LPG

Input KW: 16
 Output KW: 16.38
 Step A: 9.8
 Step B: 9.8
 Efficiency: 84%

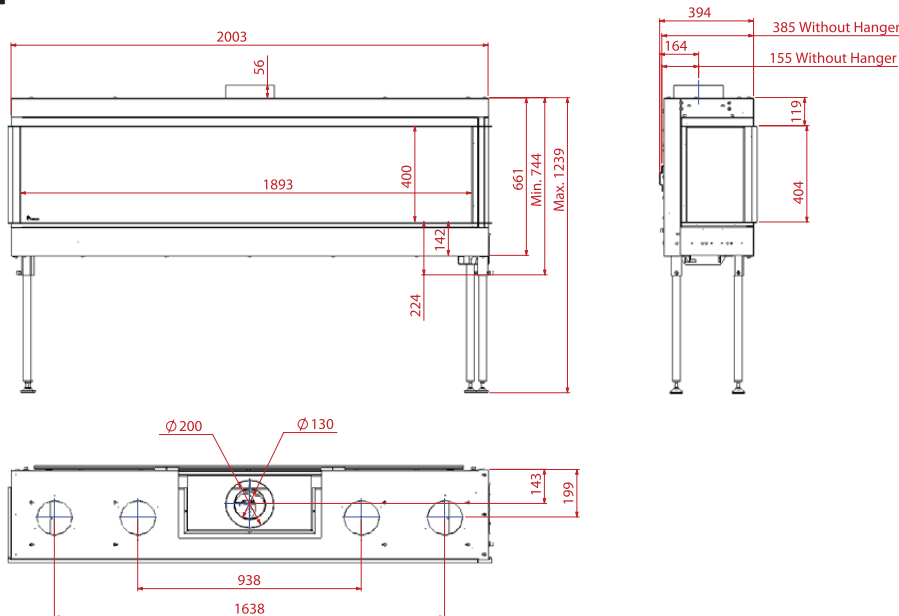
Flue Size: 130/200

Control: Mertic
 GV-60

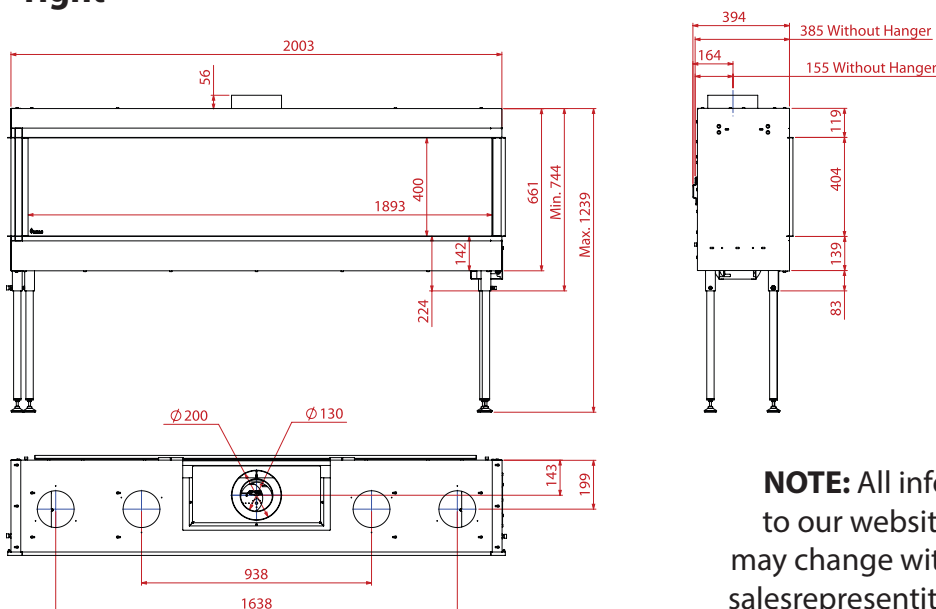
Wifi Control Option available - Please see separate technical sheet for information
 Available with either Logs or Pebble flame decoration

Technical Drawing

left



right



NOTE: All information is correct at time of upload to our website. However product sizing or details may change without prior notice. Always consult your salesrepresentative for the most upto date information. Your statutory rights are not affected. E&OE